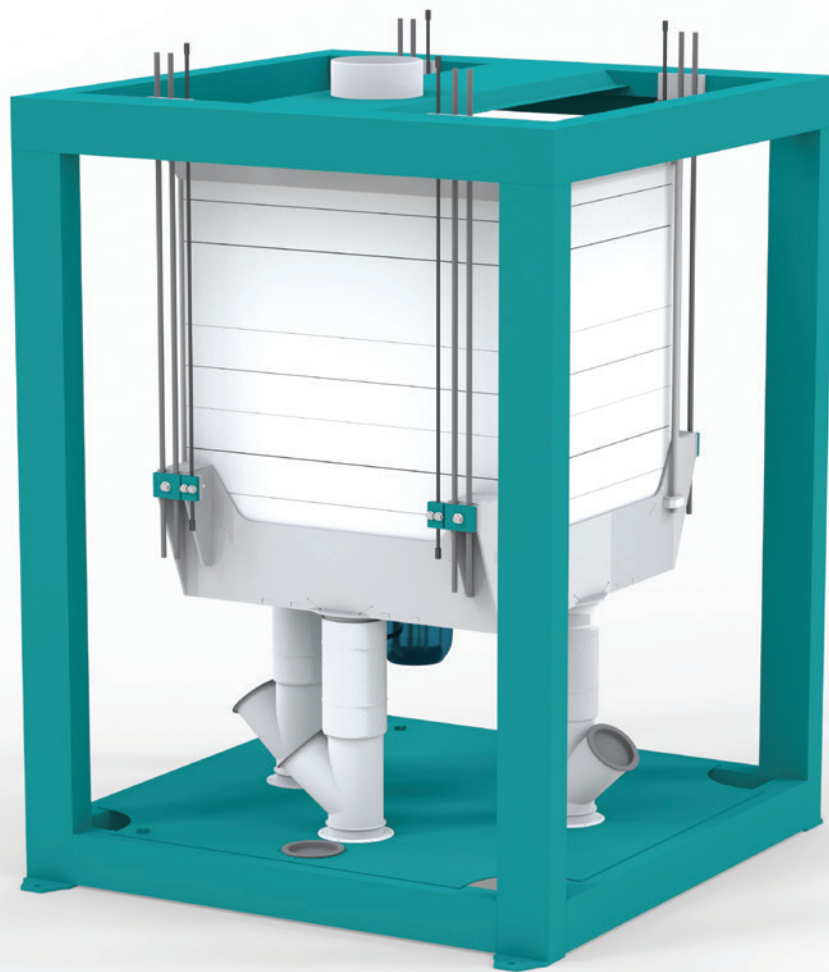


MONO SIFTER

Product Separator

The ROFF 800 Sifter (mini sifter) can separate up to three products in the milling process where a large capacity is required. This machine consists of eight sieving frames and the stack can be configured to achieve various product flow. The ROFF 800 can be used to increase sifting passages in milling operations and general sieving applications such as tea and spices.



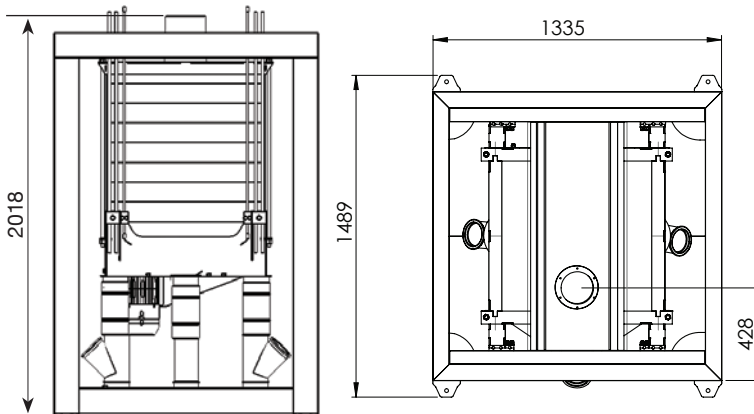
Typical product application



Performance of main product

Maize Grits

4000kg/h



Model	SIF PS1 000 001
Number of Motors	1
Number of Screens	8
Motor Power	1.5kW
Screen Surface	650 x 710 mm
Weight	+/- 495kg
Crating Dimensions (mm)	l x w x h 1600 x 1600 x 2700

Highlights

- Standard sifter comes with three outlets
- Compact and easy to operate
- Self-Cleaning sieves
- High throughput capacity
- Minimum maintenance required
- Sifter can be updated to four outlets

We reserve the right to change technical data and dimensions without prior notice.
Confirm Information before the purchase.

ROFF®