

SCREW FEED CONVEYOR

Product Conveying

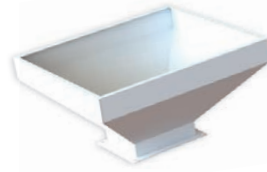
This screw type conveyor is widely used to convey granular or powdery products at various angles from the horizontal to a 60 degree plane. This machine consists of an inlet hopper, outer casing pipe and a rotating spiral.



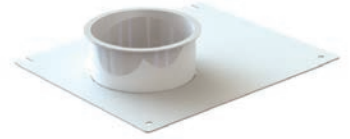
Typical product application



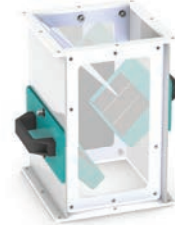
Add-ons



Conveyor Hopper



120 Conveyor Cover



Double Magnet

Performance of main machine

Diameter 125mm / RPM 325

Maize at 45° angle - 10t/h

Maize at 0° angle - 15t/h

Technical Data

125 Diameter:

3m Conveyor - AUG 125 000 156

4m Conveyor - AUG 125 000 157

5m Conveyor - AUG 125 000 158

6m Conveyor - AUG 125 000 159

Add-ons

Conveyor Hopper:

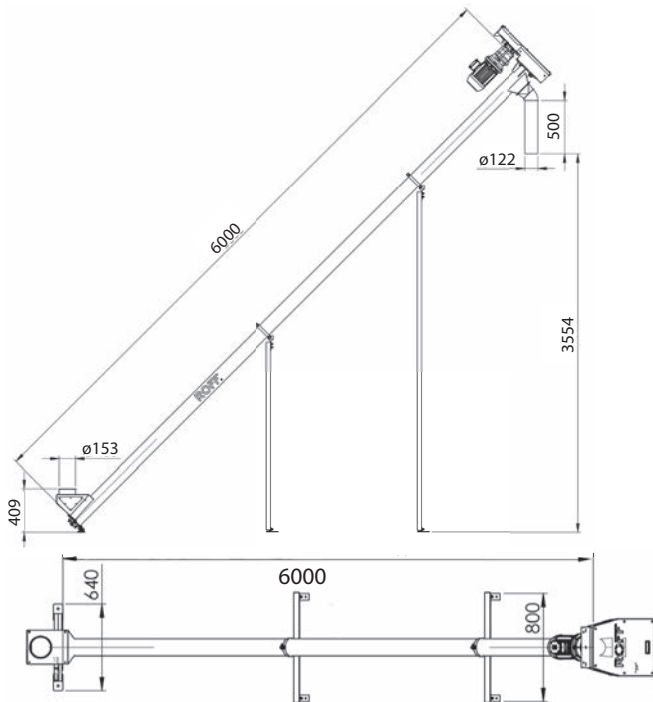
AUG FRM 004 636

120 Conveyor Cover:

AUG CVR 004 010

Double Magnet:

UNV MAG 000 002



Number of Motors	1
Motor Power	1.5kW
Starter	1 x Direct Online
Weight	+/-150kg (5m, 125)
Crating Dimensions (mm)	l x w x h
3m	3200 x 1000 x 1000
4m	4200 x 1000 x 1000
5m	5200 x 1000 x 1000
6m	6200 x 1000 x 1000

Highlights

- Manufactured from quality laser cut parts
- Drives can be changed easily
- Easy installation and minimum maintenance required
- Add-on: Magnets
- Gear drive available on request

We reserve the right to change technical data and dimensions without prior notice. Confirm Information before the purchase.

ROFF®