

HORIZONTAL BATCH MIXER

Effective Dry Product Mixing

The Horizontal Batch Mixer is the ideal machine for dry product mixing. The lifting, scooping and crisscross paddle mixing results in a homogeneous end mix. This machine is compact, fast to install and easy to use. Best suited to small size dairies, piggeries, livestock farms and horse farms.

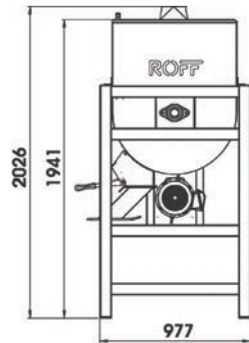
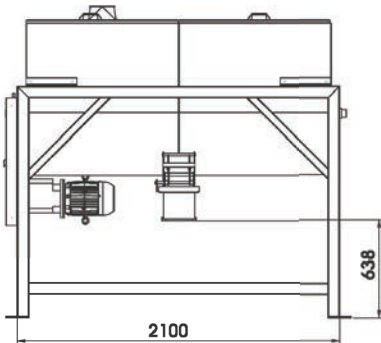


Typical product application



Performance of main product

Liter per batch	750L
Mixing time per batch	7-9 min



Model	MIX 750 000 001
Mixing Paddles	8
Self-Cleaning Scrapers	Yes
Number of Motors	1
Motor Power	4kW
Starter	Direct On Line (DOL)
Weight	+/- 540kg
Crating Dimensions (mm)	l x w x h 2300 x 1100 x 2200

Highlights

- Open paddle and shaft design for effective cleaning
- Paddles facing the outlet to ensure self-emptying of the mixture
- Outlet consists of quality later cut parts with a adjustable cam system
- Equipped with gas lift split covers
- Easy installation and minimum maintenance required