

# CONDITIONING CONVEYOR

Mixing Grain with Water

The Conditioning Conveyor is the ideal machine for mixing grain with water. This machine consists of a rotary shaft with mixing paddles.



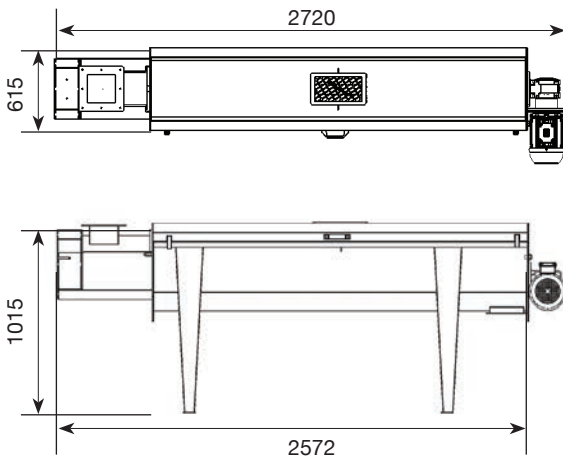
# Typical product application



## Performance of main product

Conveyancing rate of maize

up to 5000kg/h



Model	2m	CDC 245 000 003
Number of Motors	1	
Motor Power	2m	1.5kW
Weight		+/- 310kg
Crating Dimensions (mm)	2m	l x w x h
		2680 x 570 x 1170

## Highlights

- Adjustable paddles to control the throughput capacity
- Gas lifted doors for easy cleaning
- Minimum maintenance required